



AS-Interface mounting plate K45 for compact modules K45 for wall mounting for 2 flat cables AS-i cable (yellow) and AS-i cable 24 V (black)

General technical data		
Type of device		accessories digital I/O modules for operation in the field, IP67 - K45
design of the product		K45 mounting plate for wall mounting
Connections/ Terminals		
type of electrical connection		insulation piercing method for AS-Interface flat cable
Mechanical data		
Type of mounting		for wall mounting
Ambient conditions		
degree of protection		IP67 with screw-mounted K45 compact module
Certificates/ approvals		
General Product Approval	EMV	Marine / Shipping

[Confirmation](#)



other	Environment
-------	-------------

[Confirmation](#)

[Environmental Confirmations](#)

### Further information

Information on the packaging

<https://support.industry.siemens.com/cs/ww/en/view/109813875>

Information- and Downloadcenter (Catalogs, Brochures,...)

<https://www.siemens.com/ic10>

Industry Mall (Online ordering system)

<https://mall.industry.siemens.com/mall/en/en/Catalog/product?mlfb=3RK1901-2EA00>

Cax online generator

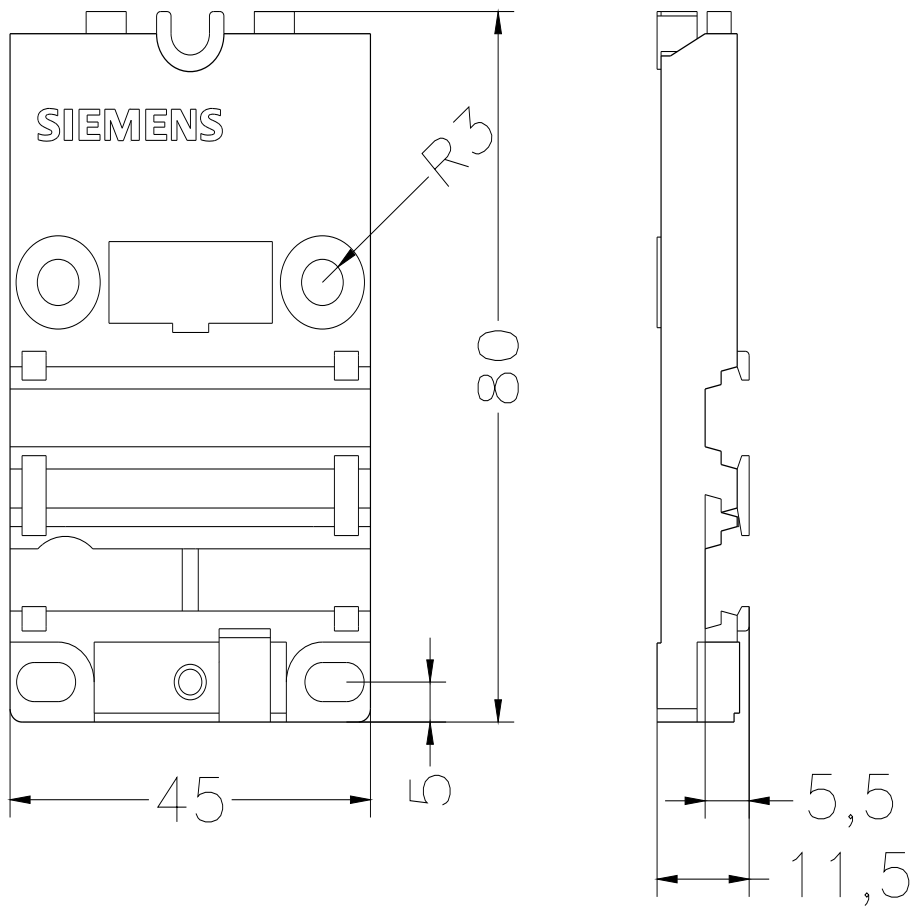
<http://support.automation.siemens.com/WW/CAXorder/default.aspx?lang=en&mlfb=3RK1901-2EA00>

Service&Support (Manuals, Certificates, Characteristics, FAQs,...)

<https://support.industry.siemens.com/cs/ww/en/ps/3RK1901-2EA00>

Image database (product images, 2D dimension drawings, 3D models, device circuit diagrams, EPLAN macros, ...)

[http://www.automation.siemens.com/bilddb/cax\\_de.aspx?mlfb=3RK1901-2EA00&lang=en](http://www.automation.siemens.com/bilddb/cax_de.aspx?mlfb=3RK1901-2EA00&lang=en)



last modified:

1/18/2021 